

# YSGH

## 초고속 중공슬림형 대관통경 유압실린더

SUPER HIGH SPEED GREAT BORE HYDRAULIC CYLINDER  
大貫通径中空スリム型シリンダー / 超大通孔油缸



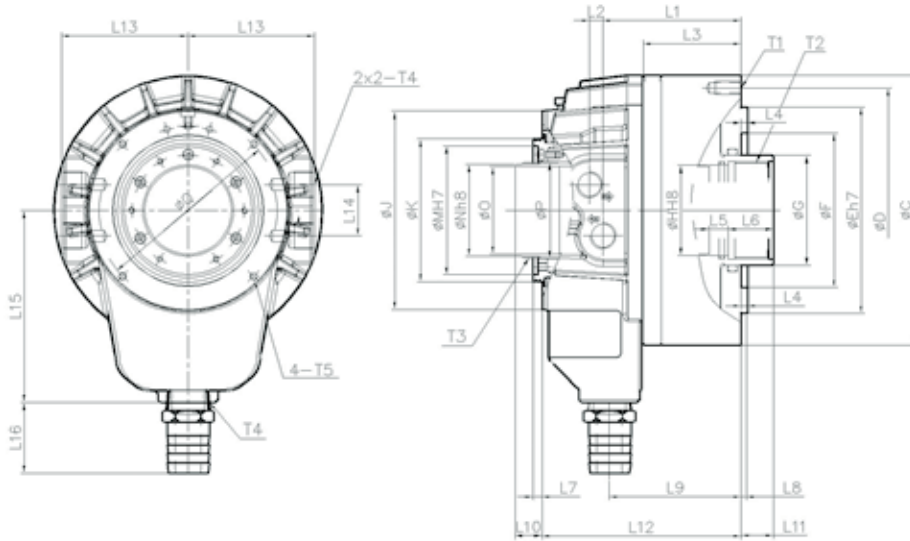
- 호환성 실현 · 소형화 경량화 · 안전 확보
- 누유방지 설계(특허등록:0172805) · 동급 최대 추력
- Compatibility · Small Size & Light Weight · Safety Guaranteed
- Leakage Prevention Design · Highest Draw Pull
- 互換性實現 · 小型化, 輕量化 · 安全確保
- 漏油防止設計(特許登録) · 同クラス最大推力
- 实现兼容性 · 体积小, 重量轻 · 保障安全
- 防泄漏设计(专利注册:0172805) · 动力强大

※ 허용 최고 회전속도는 실측치에 준함  
※ Maximum turning speed is based on actual measurement

### Specifications / 规格 / 仕様表 / 사양표

Spec.사양 Model형식	Order NO. 오더번호	Cylinder Dia 실린더내경 mm	Piston stroke 피스톤스트로크 mm	Thru hole Dia 실린더관통경 mm	Piston surface area 피스톤 단면적 cm <sup>2</sup>		Max. Draw bar pull 실린더 추력 KN(kgf)	
					Push 압축	Pull 인축	Push 압축	Pull 인축
YSGH-06	2SGH06	145	25	52	131.6	122.6	43.7(4456)	40.7(415)
YSGH-08	2SGH08	170	25	68	179.6	166.2	66.8(6814)	61.8(6306)
YSGH-10	2SGH10	189	25	82	213	197.5	76.9(7848)	71.3(7273)
YSGH-12	2SGH12	215	35	103	262.3	245.9	85.0(8667.2)	79.7(8127.6)

Spec.사양 Model형식	Max. operating pressure 최고사용유압력 kgf/cm <sup>2</sup>	Max. permissible speed 최고사용회전수 r.p.m.(min <sup>-1</sup> )	Total leakage 총드레인량 ℓ/min	Weight 중량 kg	GD <sup>2</sup> Moment of inertia N·m <sup>2</sup> (kgf·m <sup>2</sup> )	Matching chuck 적용척
YSGH-06	40.8	6500	3.9	12.7	0.30(0.031)	CGH-06
YSGH-08	40.8	5600	4	16.5	0.63(0.065)	CGH-08
YSGH-10	40.8	4800	4.5	26	0.95(0.097)	CGH-10
YSGH-12	40.8	3500	6	36	18.0(1.84)	CGH-12



Dimension/尺寸/寸法表/치수표

Item항목 Model형식	C	D	E	F	G	H	J	K	M	N	O	P	Q
YSGH-06	180	165	140	80	70	55	135	96	85	59.5	52	62	110
YSGH-08	210	190	160	120	85	70	154	111	100	71.5	68	75	145
YSGH-10	226	190	160	-	100	85	164	128	117	86	82	90	155
YSGH-12	263	225	200	145	120	106	202	148	135	108	103	112	190

Item항목 Model형식	L1	L2	L3	L4	L5	L6	L7	L8	L9	L10 max	L10 min	L11 max	L11 min
YSGH-06	99	9	75.5	11	10	20	121	8	102	83	58	22	-3
YSGH-08	105.2	127	76	5	15	35	7	5	102.5	46	21	25	0
YSGH-10	122.2	127	90	-	15	35	7	5	125	46	21	25	0
YSGH-12	148	14	108.5	5.5	15	30	7	5	155	55	20	35	0

Item항목 Model형식	L12	L13	L14	L15	L16	T1	T2	T3	T4	T5
YSGH-06	138.5	86	40	130	55	12-M10X18	M60XP1.5	M60XP1.5	PT-3/8	4-M6X6
YSGH-08	155	88	40	149	55	6-M10X18	M75XP2.0	M74XP1.5	PT-1/2	4-M5X10
YSGH-10	175	102	40	170	55	12-M10X18	M90XP2.0	M89XP2.0	PT-1/2	4-M6X15
YSGH-12	211	126	40	195	55	12-M16X32	M111XP2.0	M111XP2.0	PT-1/2	4-M6X15

※ 치수 및 사양은 예고없이 변경될 수 있습니다.  
 ※ Specifications are subject to change without notice.